

BP215MCX Specifications



Description

Triaxial 3-way full range

- 3-way Triaxial System
- Very high SPL from 80Hz-20kHz
- Three-amplified or Two-amplified operation
- Designed for PA, fixed installation and touring.

The Band-pass and Coaxial Horn Loaded design combined with two highly efficient 15" transducers produces an efficiency of 103 dB at 1 W / 1 m. A power rating of 1100Wrms enables a sustained output of 133 dB to be maintained.



BP215MCX Specifications

LOUDSPEAKER

Subsystem:

Transducer	Loading
LF 2 x 15-in cone / 3" Voice Coil/	Band-Pass
MF 1 x 8- in cone /2" Voice Coil with ferrofluide/	Horn-loaded
HF 1 x 1-in compression driver /1.75" voice coil	Horn-loaded

Operating Mode: Active

Amplifier Channels	External Signal Processing
Three -amp LF, MF, HF - active mode	DSP /3-way filters

Operating Mode: Semi Active

Amplifier Channels	External Signal Processing
Two -amp LF, MF and HF /with internal crossover/	DSP /2-way filters

PERFORMANCE

Operating Range:	80 Hz - 21 kHz (- 3 dB)
Nominal Beamwidth: H/V	90° x 60°

Power handling AES

LF-66Vrms(90-400Hz)	1100W @ 40hm
LF-49Vrms(400-1800Hz)	300W @ 80hm
HF-25,3Vrms(2-18kHz)	80W @ 80hm

Axial Sensitivity (2.83V@1m)

LF 103 dB	100Hz to 400Hz
MF 106 dB	500Hz to 1200Hz
HF 112 dB	2kHz to 4kHz

Input Impedance

Nominal	Minimum
LF – 4 ohm	3.5ohm @ 220 Hz
MF – 8 ohm	
HF – 8 ohm	

High Pass Filter Active Mode

LF – High Pass=> 80Hz, 24 dB/octave Butterworth
MF – High Pass=> 300 Hz, 24 dB/octave Butterworth
HF – High Pass=> 1800 Hz, 24 dB/octave Butterworth

High Pass Filter Semi Active Mode

LF – High Pass=> 80Hz, 24 dB/octave Butterworth
MF/HF – High Pass=> 300 Hz, 24 dB/octave Butterworth

Axial Output SPL @ 1m

Average	Peak
LF 133 dB	139 dB
MF 130 dB	136 dB
HF 130 dB	136 dB

PHYSICAL

Dimensions 950x 620 x 660 mm (H,W,D)
Net Weight: 79kg

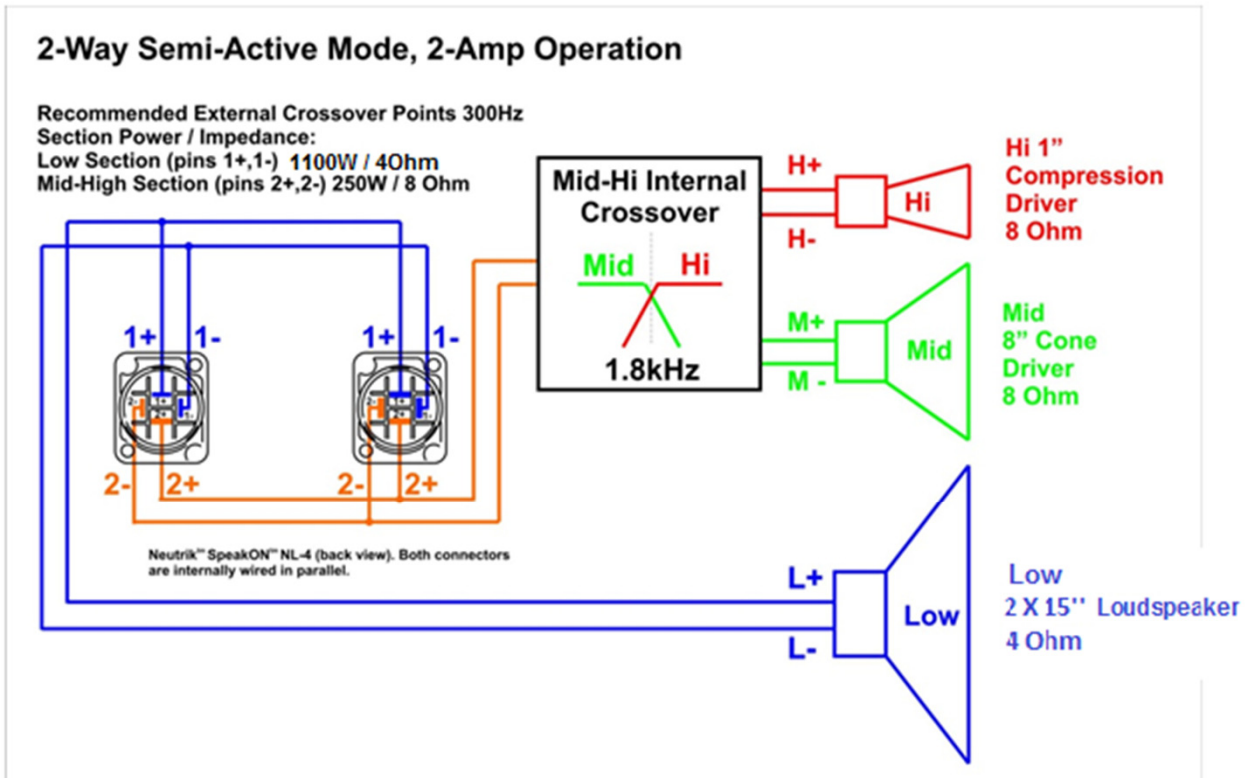
ORDERING DATA

Description
BP215MCX - Red or Black
Optional Accessories
Cover (Single protection for one BP215MCX)



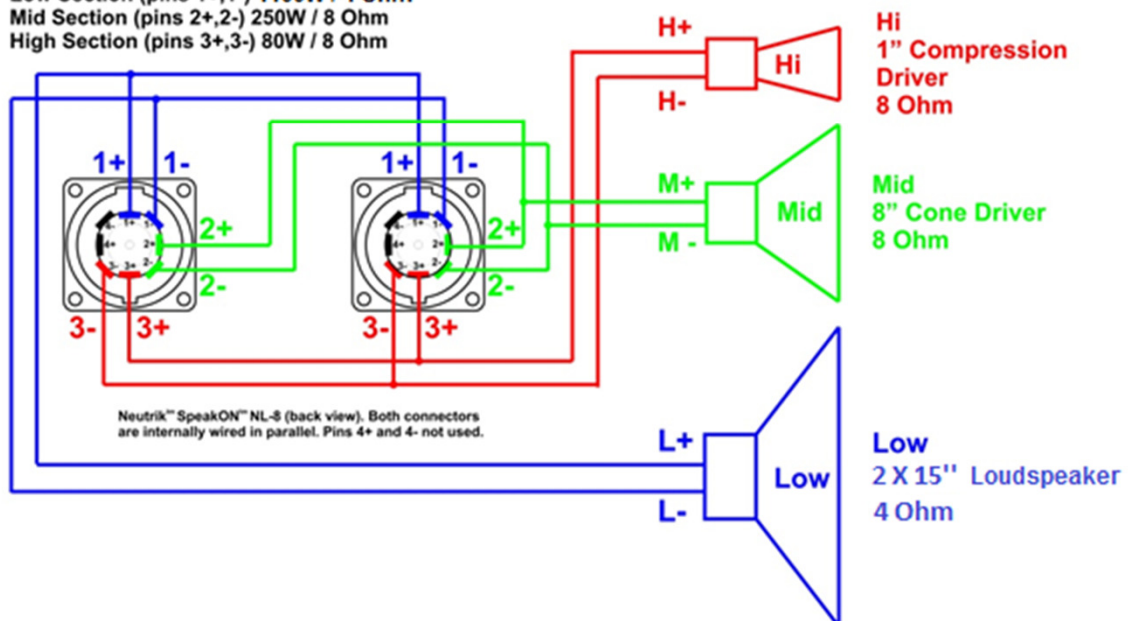
BP215MCX Specifications

Internal Electrical Diagram



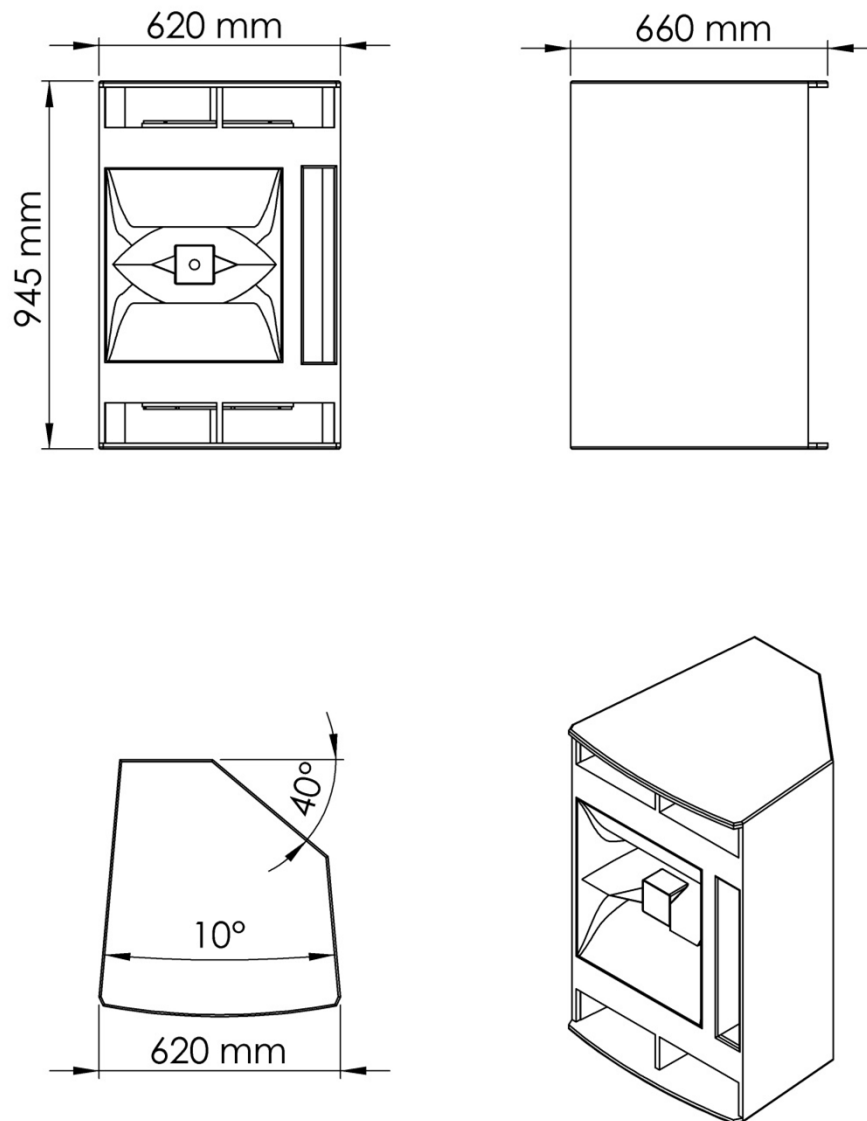
3-Way Active Mode, 3-Amp Operation

Recommended External Crossover Points 300Hz / 1,8kHz.
 Section Power / Impedance:
 Low Section (pins 1+,1-) 1100W / 4 Ohm
 Mid Section (pins 2+,2-) 250W / 8 Ohm
 High Section (pins 3+,3-) 80W / 8 Ohm



BP215MCX Specifications

Drawing



- All dimensions are in mm

