

BP218LF Specifications



Description

- Band-pass parallel double-tuned enclosure
- 2 x 18" loudspeakers
- Frequency response down to 37Hz

An excellent transient response produces fast high impact bass that is able to reproduce detailed and accurate low frequency details. The band-pass design is combined with two highly efficient 18" loudspeakers which produces an efficiency of 104dB at 1W/1m. A power rating of 2000Wrms enables a sustained output of 136dB to be maintained.



BP218LF Specifications

LOUDSPEAKER

Subsystem:

<i>Transducer</i>	<i>Loading</i>
LF 2x 18-in cone / 4"Voice Coil/	Band Pass Design

Operating Mode:

<i>Amplifier Channels</i>	<i>External Signal Processing</i>
Single-amp	Low-Cut+High Pass Filter

PERFORMANCE

Operating Range:	37 Hz – 110 Hz (- 3 dB)
------------------	-------------------------

Power handling AES

LF-89Vrms(40-100Hz)	2000W @ 4Ohm
---------------------	--------------

Axial Sensitivity (2.0V@1m)

LF 103dB@60Hz	105dB@80Hz to 90 Hz
---------------	---------------------

Input Impedance

<i>Nominal</i>	<i>Minimum</i>
LF – 4 ohm	3.4 ohm@70Hz

High Pass Filter

LF – High Pass=> 38Hz, 36 dB/octave Butterworth/Low Pass=> 100-130 Hz, 36 dB/octave Butterworth

Axial Output SPL @ 1m

<i>Average</i>	<i>Peak</i>
LF 137 dB	143 dB

PHYSICAL

Dimensions (without wheels) 730 x 1530 x 760 mm (W,H,D)
Net Weight: 125kg

ORDERING DATA

Description

BP218LF- Red or Black

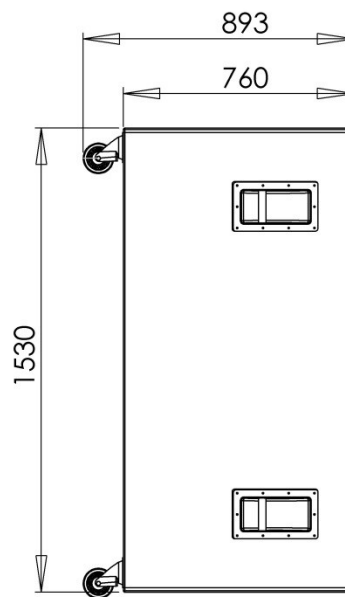
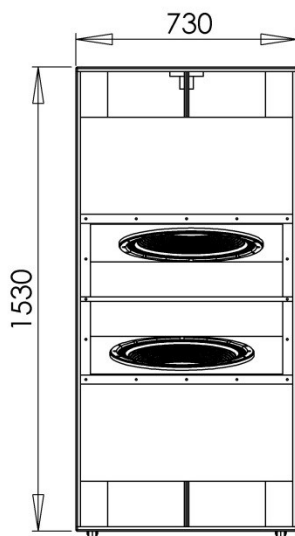
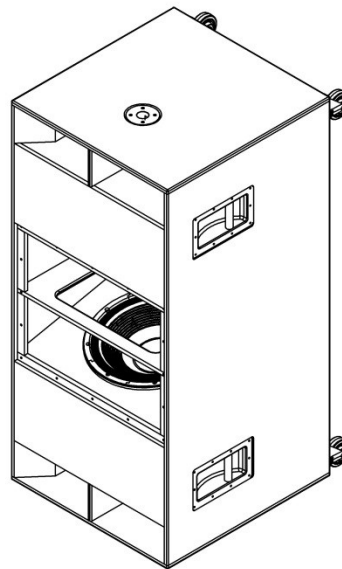
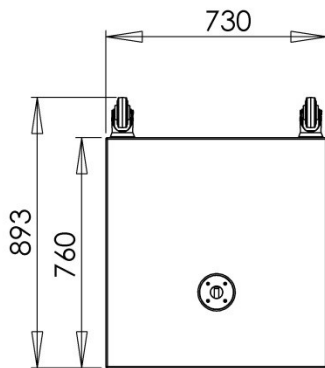
Optional Accessories

1xCover (Single protection for one BP218LF) and 4xWheels
--



BP218LF Specifications

Dimensions



- All dimensions are in mm

