



## Description

- 1500 W RMS
- 3-way Coaxial Band-pass and Horn Loaded system
- Frequency response – 80 Hz – 20 kHz
- Three-amplified operation
- Designed for PA, fixed installation and touring.

The band pass design combined with **two highly efficient 15" transducers** produces an efficiency of **104 dB at 1 W / 1 m**. A power rating of **1500 W RMS** enables a **sustained output of 134 dB** to be maintained.

## LOUDSPEAKER

### Subsystem:

Transducer	Loading
LF – 2 x 15-in cone /3" Voice Coil/	Band-Pass
MF – 1 x 8- in cone /2" Voice Coil/	Horn-loaded
HF – 1 x 1-in compression driver /1.75" Voice Coil/	Horn-loaded

### Operating Mode: Active

Amplifier Channels	External Signal Processing
Three-amp LF, MF and HF	DSP /3-way filters/

### Operating Mode: Semi Active

Amplifier Channels	External Signal Processing
Two-amp LF, MF and HF /with internal crossover/	DSP /2-way filters/

## PERFORMANCE

Operating Range	80 Hz - 20 kHz ( - 3 dB)
Nominal Beamwidth (H/V)	60° x 90°

### Power handling AES

LF – 66 Vrms (90 Hz – 400 Hz)	1100 W @ 4 Ω
MF – 49 Vrms (400 Hz – 1800 Hz)	300 W @ 8 Ω
HF – 25.3 Vrms (2 kHz – 18 kHz)	80 W @ 8 Ω

### Axial Sensitivity (2.83V@1m)

LF – 103 dB	100 Hz to 400 Hz
MF – 106 dB	500 Hz to 1200 Hz
HF – 112 dB	2 kHz to 4 kHz

### Input Impedance

Nominal	Minimum
LF – 4 Ω	3.5 Ω @ 220 Hz
MF – 8 Ω	
HF – 8 Ω	

### High Pass Filter (Active Mode)

LF – High Pass => 70 Hz, 24 dB /octave Butterworth/
MF – High Pass => 300 Hz, 24 dB /octave Butterworth/
HF – High Pass => 1800 Hz, 24 dB /octave Butterworth/

### High Pass Filter (Semi-Active Mode)

LF – High Pass => 70 Hz, 24 dB /octave Butterworth/
MF/HF – High Pass => 300 Hz, 24 dB /octave Butterworth/

### Axial Output SPL @ 1m

Average	Peak
LF – 133 dB	139 dB
MF – 130 dB	136 dB
HF – 130 dB	136 dB

## PHYSICAL

Dimension: 580 x 570 x 1090 mm (W x L x H)
Net Weight: 79 kg

## ORDERING DATA

Description
BP 1508

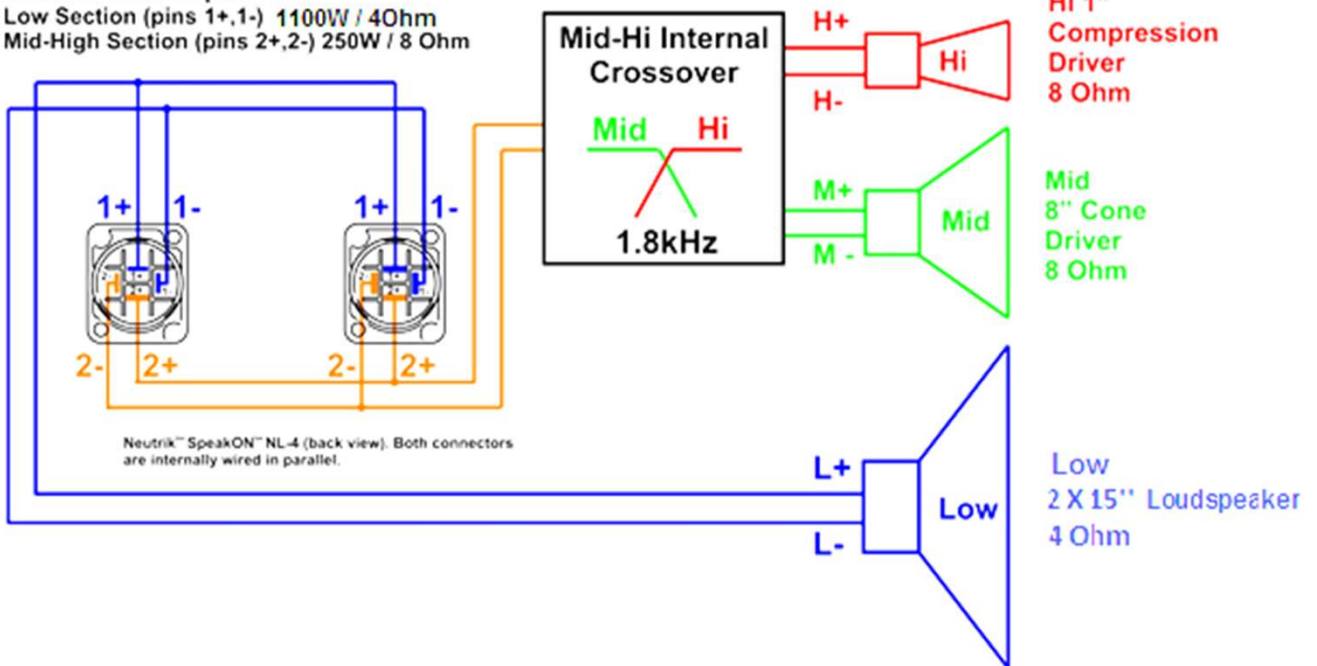
### Optional Accessories

1 x Cover
-----------

## Internal Electrical Diagram

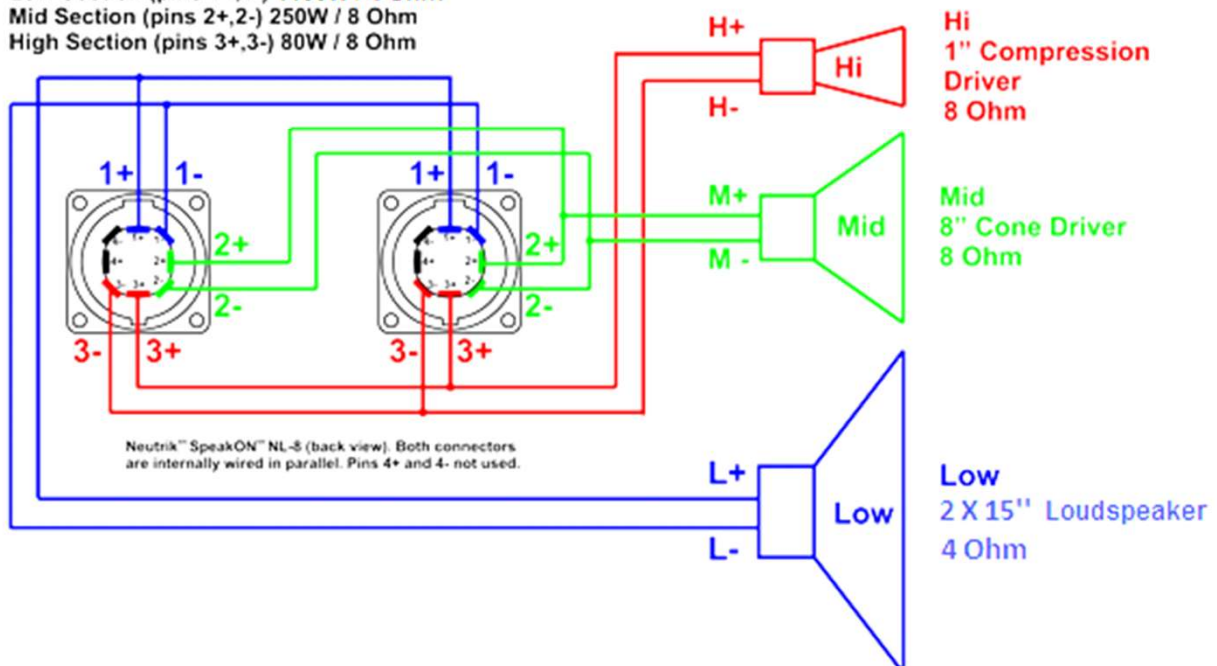
### 2-Way Semi-Active Mode, 2-Amp Operation

Recommended External Crossover Points 300Hz  
 Section Power / Impedance:  
 Low Section (pins 1+,1-) 1100W / 40hm  
 Mid-High Section (pins 2+,2-) 250W / 8 Ohm



### 3-Way Active Mode, 3-Amp Operation

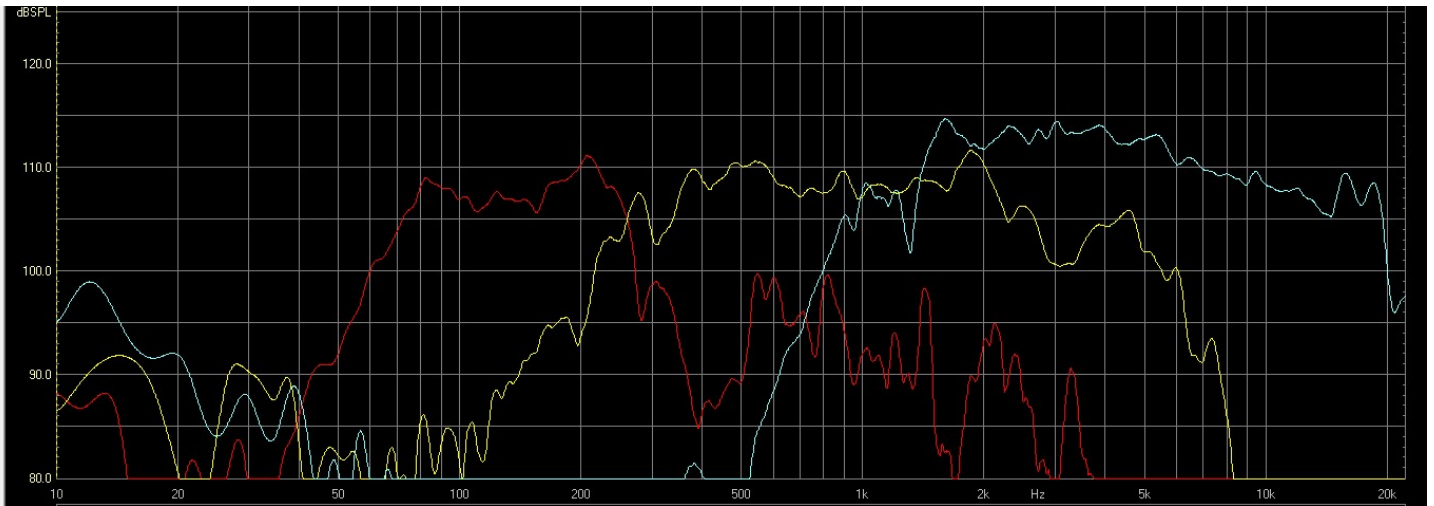
Recommended External Crossover Points 300Hz / 1,8kHz.  
 Section Power / Impedance:  
 Low Section (pins 1+,1-) 1100W / 4 Ohm  
 Mid Section (pins 2+,2-) 250W / 8 Ohm  
 High Section (pins 3+,3-) 80W / 8 Ohm



## Frequency Response

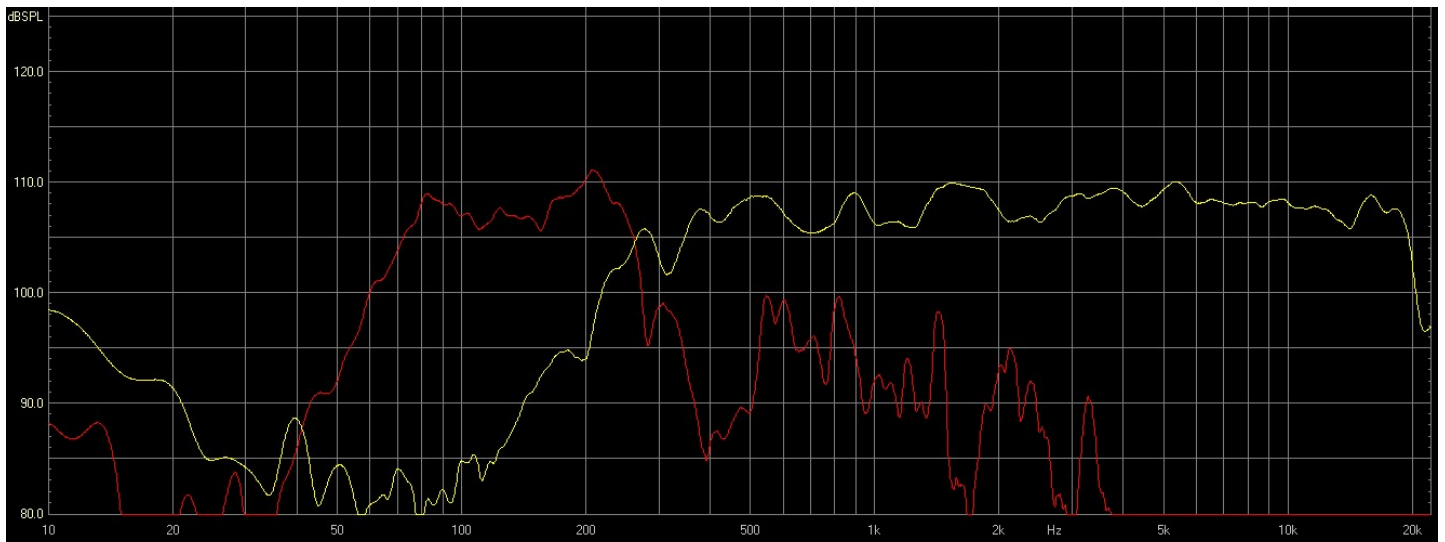
### Active Mode

1 x BP 1508 / 3-Way / Unprocessed – 2 x 15" @ 2.83v/1m\_4  $\Omega$ ; 1 x 8" @ 2.83v/1m\_8  $\Omega$ ; 1 x 1" @ 2.83v/1m\_8  $\Omega$

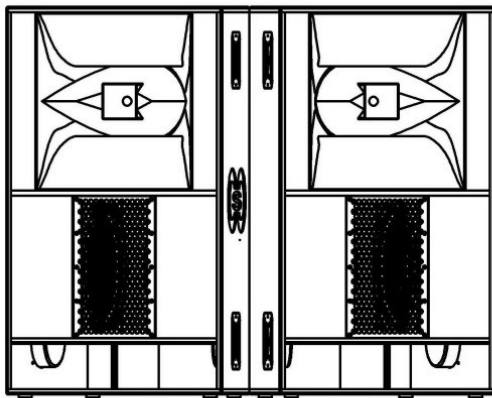
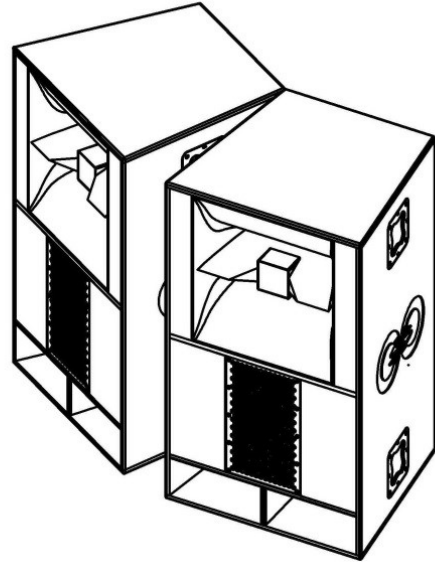
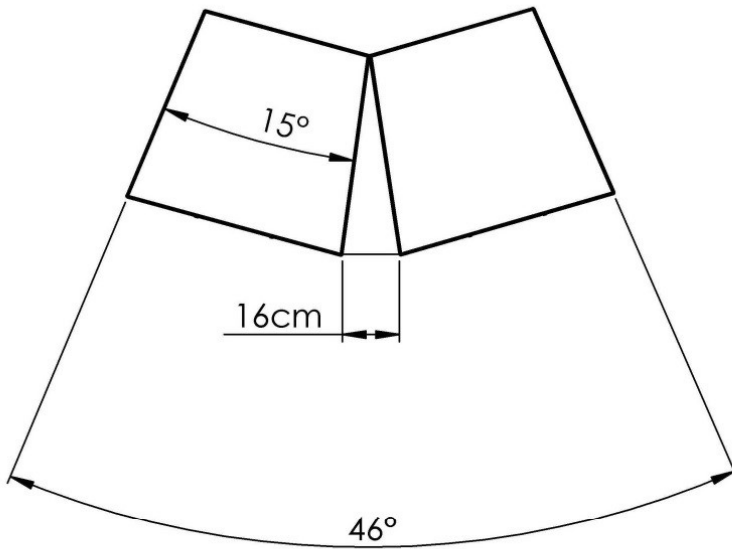


### Semi-Active Mode

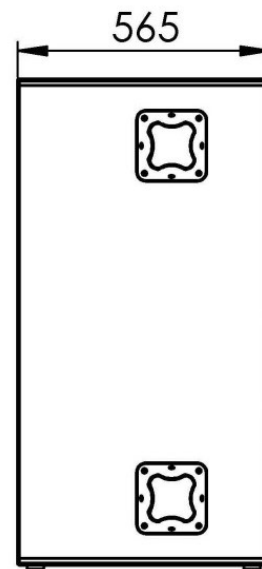
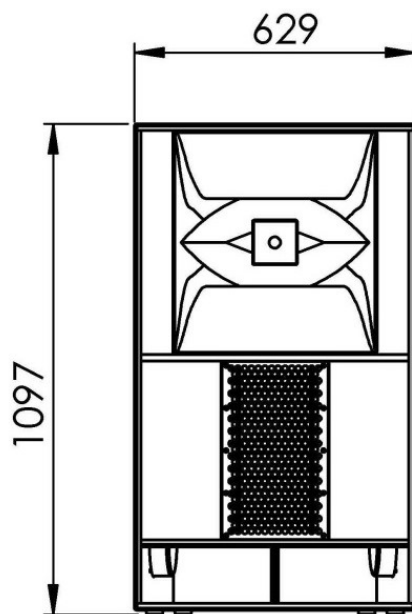
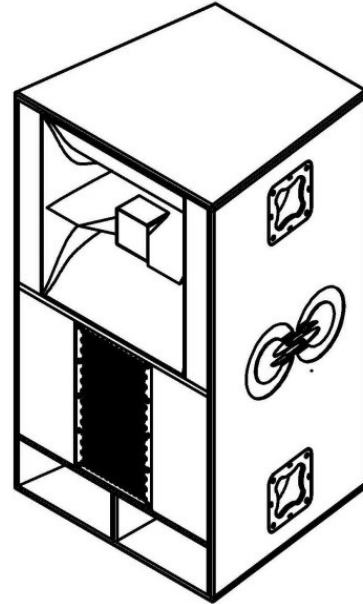
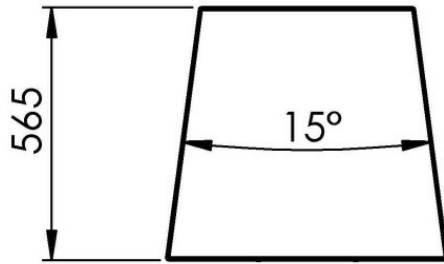
1 x BP 1508 / 2-Way / Unprocessed – 2 x 15" @ 2.83v/1m\_4  $\Omega$ ; internal passive filter – 1 x 8" + 1 x 1" @ 2.83v/1m\_8  $\Omega$



## Stacking Mode Recommendation



## Dimensions



- All dimensions are in mm