



Description

- Subwoofer Enclosure
- 1 x 18" loudspeakers
- Frequency response down to 33Hz(-3db)

An excellent transient response produces fast high impact bass that is able to reproduce detailed and accurate low frequency details.

1000 W Subwoofer with one SD 18BX100 loudspeakers characterized with maximum low-frequency output power.

PW118

Specifications

LOUDSPEAKER

Subsystem:

<i>Transducer</i>	<i>Type</i>
LF 1x 18-in cone / 4"Voice Coil/	Self-powered subwoofer

Operating Mode:

<i>Amplifier Channels</i>	<i>External Signal Processing</i>
Single-amp	Low-Cut+High Pass Filter

PERFORMANCE

Operating Range:	33 Hz – 150 Hz (- 3 dB)
------------------	-------------------------

Power handling AES

LF-90Vrms(40-100Hz)	1000W @ 8Ohm
---------------------	--------------

Axial Sensitivity (2.83V@1m)

LF 97dB	45Hz to 100 Hz
---------	----------------

Input Impedance

<i>Nominal</i>
LF – 8 ohm

High Pass Filter

LF – High Pass=> 35 Hz, 48dB/octave Butterworth/Low Pass=> 90-120 Hz, 48dB/octave Butterworth

Axial Output SPL @ 1m

<i>Average</i>	<i>Peak</i>
LF 127dB	133 dB

PHYSICAL

Dimensions 661 x 556 x 744 mm (H,W,D)
Net Weight: 45kg

ORDERING DATA

<i>Description</i>
PW118 - Red or Black

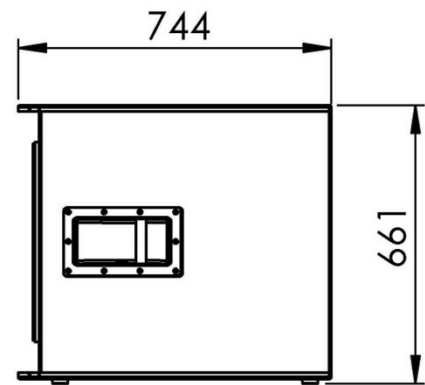
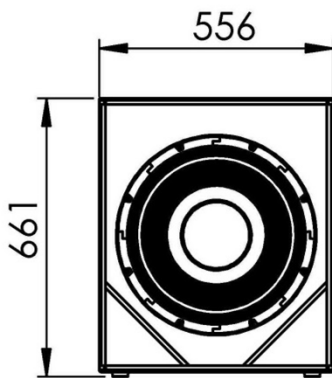
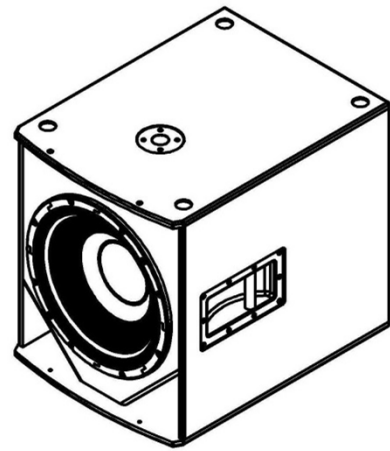
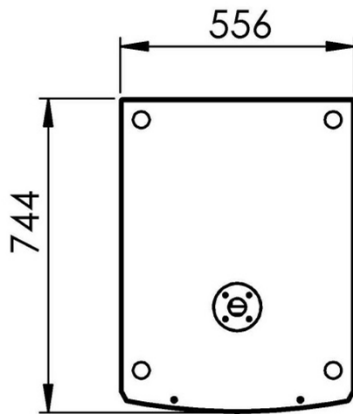
Optional Accessories

Cover (Single protection for one PW118)



*AES standard: Power Handling is calculated on rated minimum impedance.
The measurement is done using a 45-250 Hz band limited pink noise test signal applied continuously for 2 hours.

Dimensions



- All dimensions are in mm

